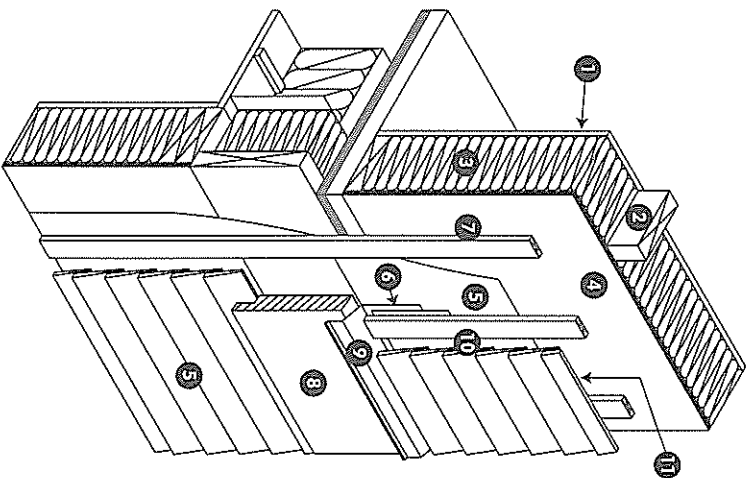


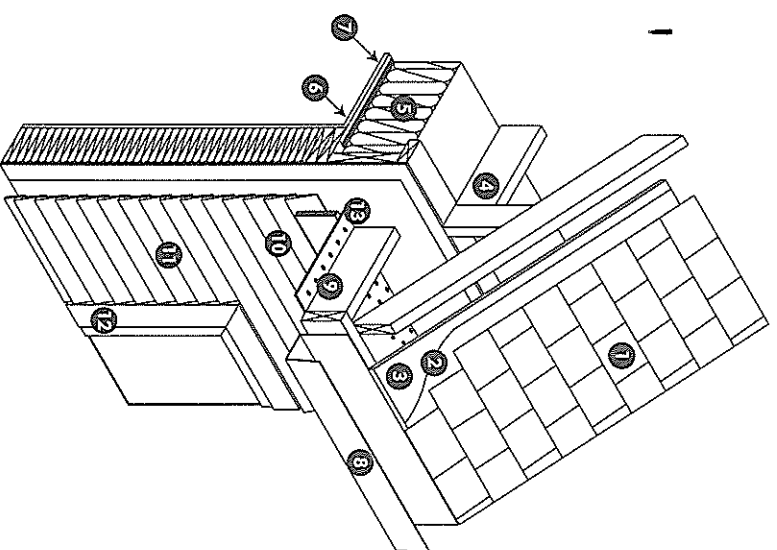
TYPICAL PARTY WALL AND INTERMEDIATE FLOOR SYSTEM

1. 1 layer of 5/8" type X wallboard with a second layer of fire rated 1/2" type X wallboard on one side.
2. Party wall assembly (one hour fire separation) incorporating two separate staggered 2" x 4" kiln dried wood stud walls.
3. R-10 acoustical batt insulation.
4. 1" air separation between 2" x 4" alternated stud walls.
5. 5/8" gypsum wallboard.
6. Acoustical sealant installed around the perimeter of the bottom wall plate.
7. 5/8" T&G floor sheathing glued and screwed to floor joists.
8. 2" x 2" cross bracing or solid bridging.
9. Kiln dried 2" x 10" spruce floor joists.
10. Resilient metal channels with batt insulation and two layers of 5/8" type X gwb.



TYPICAL EXTERIOR RAIN SCREEN WALL DETAIL

1. Drywall sealed with vapour retardant paint including foam gasket.
2. 2" x 6" and 2" x 4" kiln dried wall studs.
3. R12 and R20 fiberglass batt insulation as applicable.
4. 3/8" oriented strand board exterior wall sheathing, ventilated at each stud cavity.
5. Tyvek "Home Wrap" building wrap, two layers at inside and outside corners, sealed at all vertical joints with "Tuc" adhesive tape.
6. Self-adhesive waterproof membrane.
7. 1/2" pressure treated vertical strapping.
8. Kiln dried, combed face painted wood trim board.
9. 26 gauge galvanized metal flashing.
10. Insect screen.
11. 1/2" airspace/drainage gap between siding and building wrap.



SLOPING ROOF DETAIL

1. Weatherguard laminated shingles.
2. One layer of 15 lb asphalt saturated, non-perforated roofing felt (30 lb at the eave line).
3. 1/2" roof sheathing.
4. Engineered wood trusses.
5. R-40 batt insulation.
6. Six mil polyethylene vapour barrier.
7. One layer of fire-rated 5/8" drywall.
8. 5" seamless aluminum fascia gutter.
9. Perforated vinyl soffit.
10. Large roof overhangs.
11. Exterior wall clad durable hardi plank with hardi panel.
12. Long-lasting vinyl window frames with double glazed thermally broken windows.
13. Kiln dried, combed face painted wood trim board